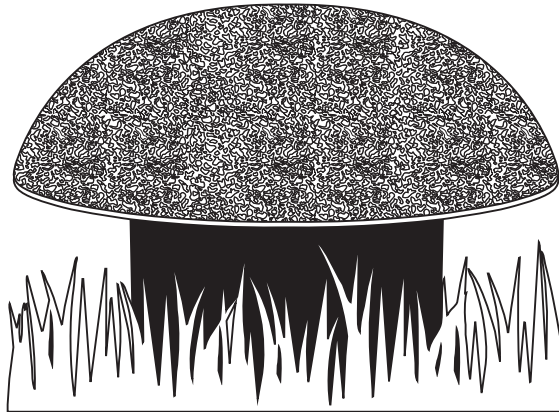
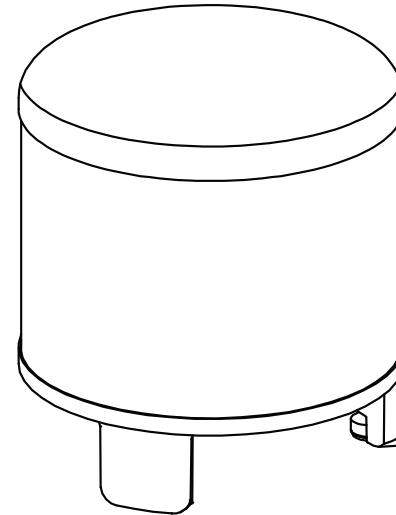


## **AW10-LSUB-BR & AW10-HSUB-BR** Landscape Subwoofers



AW10-LSUB-BR



AW10-HSUB-BR

# INTRODUCTION

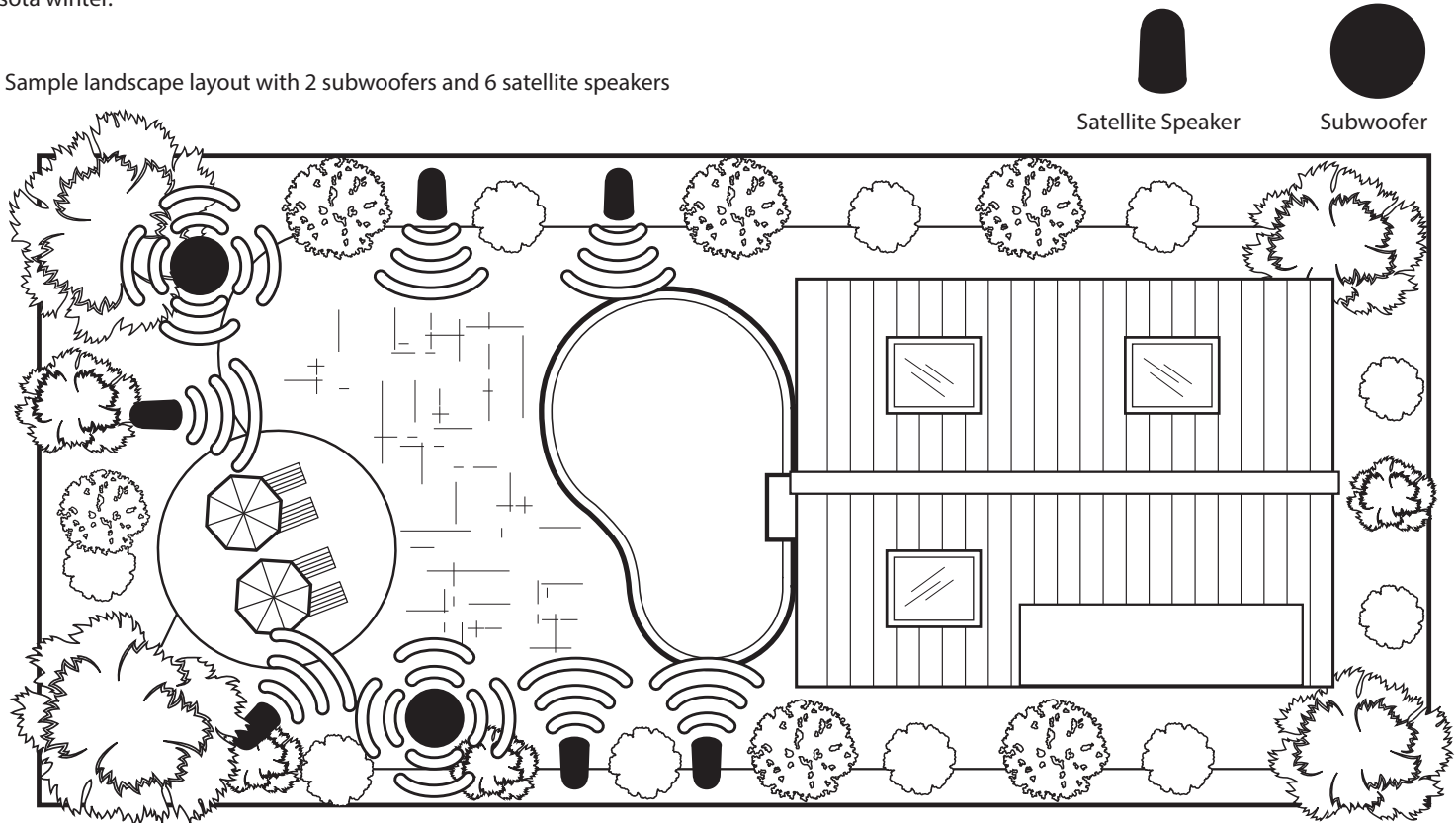
## Introduction

Thank you for selecting a premium landscape subwoofer from Russound.

This impressive subwoofer, designed to be installed by a professional, offers an elegant, scalable platform for providing high quality audio enhancement to any outdoor area in even the harshest environmental conditions. Specially designed to withstand both extreme heat and cold, this subwoofer works great from the humid, hot conditions of summertime in Florida to the bone-chilling cold of a Minnesota winter.

Russound Landscape Speakers	
Satellite Speakers	AW4-LS-BR AW6-LS-BR
Subwoofers	AW10-LSUB-BR AW10-HSUB-BR

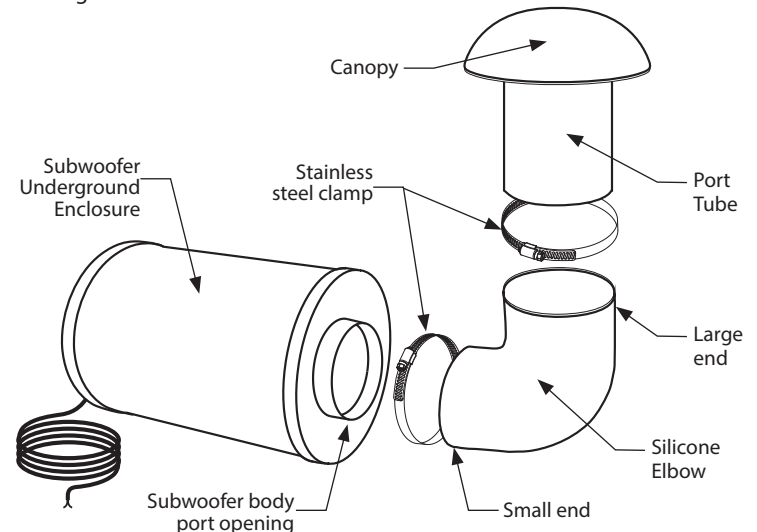
Sample landscape layout with 2 subwoofers and 6 satellite speakers



## ASSEMBLING THE AW10-LSUB-BR

- 1) Unpack the contents of the box. Use caution when lifting the subwoofer. The included carrying support rope should be utilized to help remove it from the box.
- 2) Examine the silicone elbow. Note that one end is slightly larger than the other. The smaller end attaches to the subwoofer body and the larger end attaches to the port tube.
- 3) Place a stainless steel clamp ring on each end of the silicone elbow. There are two different size clamp rings, one for the large end of the elbow, and one for the smaller end of the elbow.
- 4) Attach the small end of the silicone elbow to the subwoofer body port opening as shown.
- 5) Before tightening the clamp, determine the orientation that you would like for the port tube. The speaker wire comes out of one edge of the subwoofer and the tap setting adjustment is located near an edge of the rear panel. You can rotate the elbow so that the speaker wire connection and tap setting adjustment are best suited for your installation.
- 6) Once the orientation that you desire for the port tube is set, tighten the clamp ring using a screwdriver until the ring is fully tightened. Making a good seal is important both to prevent water penetration as well as to prevent audio issues with the subwoofer.
- 7) Attach the canopy to the large end of the silicone elbow. Make sure that the tube is fully seated and forms a 90 degree angle with the subwoofer. When the tube is properly seated in the elbow, tighten the clamp ring using a screwdriver until the ring is fully tightened. Making a good seal is important both to prevent water penetration as well as to prevent audio issues with the subwoofer.
- 8) Adjust the tap setting switch. Remove the tap setting switch cover by turning the cover counter-clockwise. Under the cover is the tap setting switch. Set the tap setting to the appropriate position. Use the 8Ω setting for installation with low impedance amplifiers or receivers. Use any of the 70v/100v settings for use with 70v/100v amplifiers. Due to the nature of 70v/100v technology, better bass performance will typically result if the subwoofer is used at 8Ω, however the AW10-LSUB-BR is designed for operation at 70v/100v.

- 9) Make your wiring connections using the included weatherproof wire nuts and, when the entire system is ready, turn on your amplifier(s). See page 6-8 for information on wiring connections.
- 10) Lower the subwoofer into the hole. Russound recommends placing a 1-2" layer of pea gravel or similar substrate at the bottom of the hole to ensure proper drainage. When placed, the subwoofer and canopy should be level. You can verify this with a bubble level.
- 11) Before covering the subwoofer and any wiring, verify the system operation and that the proper volume levels are set. It is easy to adjust the subwoofer tap setting before the subwoofer gets buried. Adjust the tap setting as necessary for the desired sound level near the subwoofer.
- 12) When the entire system is verified and tap settings throughout have been adjusted, replace the tap setting cover and hand tighten it until secure. You can now bury the subwoofer and its wiring.
- 13) Make certain that the subwoofer does not rotate out of position while you are filling the hole. Pack the dirt as you go for an even installation base.
- 14) When finished, the canopy bottom edge should be between 6" and 8" above the ground level.



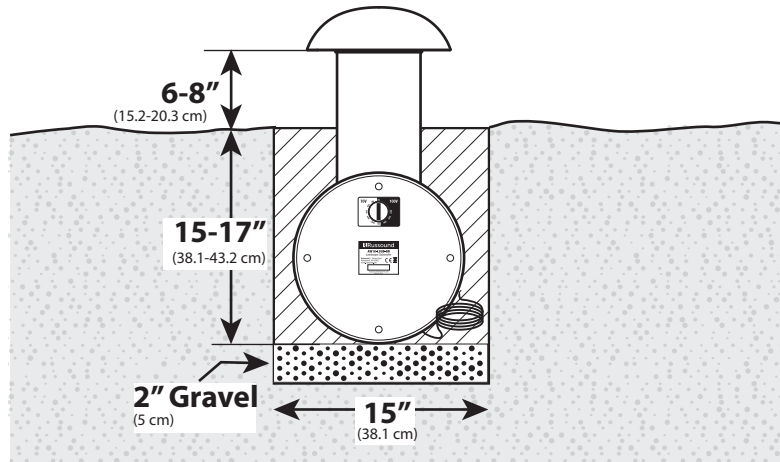
# INSTALLING THE AW10-LSUB-BR

## Choosing a location for the subwoofer

The AW10-LSUB-BR is designed to cover approximately 2,000 ft<sup>2</sup> (185.8 m<sup>2</sup>). Sound from the subwoofer will carry in all directions and this means an approximate spacing of 50' (15.2 meters) between subwoofers. One important consideration in positioning a burial subwoofer is avoiding placement near walls or building foundations. Placing a subwoofer near a wall can increase the bass by about 3dB and placing one in a corner will increase it by another 3dB. Keep in mind that if played at loud volume, this could induce unwanted vibration or sound penetration into a home or adjacent building. Locate the subwoofers near the primary outdoor listening areas, typically on the outer edges of a space, and not next to a home or building. Other considerations to keep in mind are the ease of installation at the location, and the ease of running wires to that location.

The subwoofer is made of materials designed for rugged outdoor use, and will withstand occasional hits from common landscape tools, but can be damaged if struck by lawn mowers or other motorized equipment. Placing the subwoofer near bushes, shrubs, or rock decorations may help protect it from being struck by lawn maintenance equipment.

The subwoofer requires a hole size of approximately 15" Wide x 30" Long x 17-19" Deep. (38.1 x 76.2 x 43.2-48.3 cm)

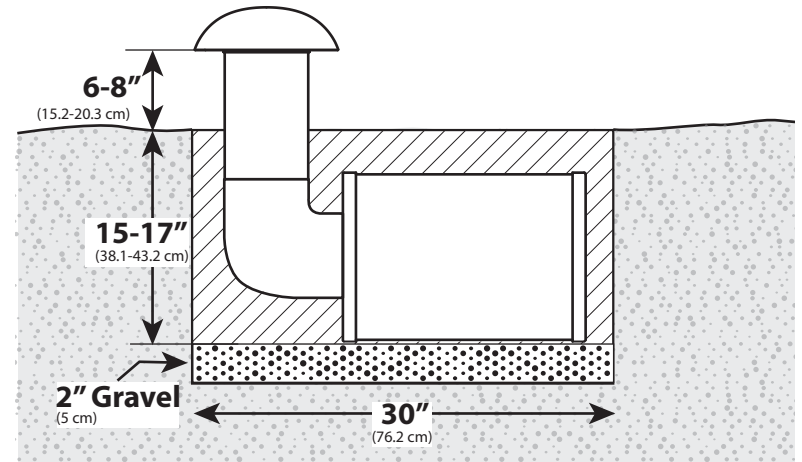


Make sure that the desired location:

- 1) Has the required mounting depth.
- 2) Is not near a building wall or foundation that would allow unwanted sound noise to intrude.
- 3) Has proper drainage. Placing a subwoofer in a low-lying area that is prone to flooding can damage the subwoofer if water levels rise enough for water to enter through the underside of the port tube canopy.
- 4) Is free of any obstructions or underground utilities. In the United States, you must dial 811 (1-888-344-7233) before any digging in order for underground utilities to be marked prior to any digging.

The depth of the mounting hole will affect the finished look of the subwoofer. The subwoofer is recommended to be installed at a depth of 15-17". This will leave approximately 6-8" of the subwoofer port tube and cap above the ground after the installation.

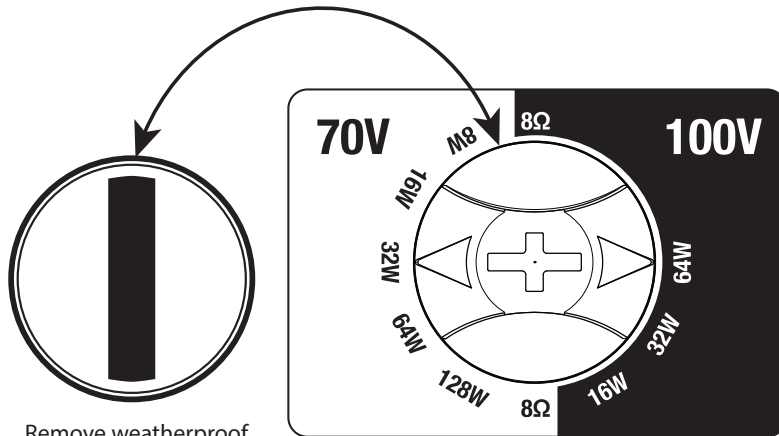
Russound recommends adding a layer of 1-2" of pea gravel at the bottom of the hole to facilitate drainage around the base of the subwoofer. If adding gravel, make sure to dig the hole slightly deeper to accommodate the layer of gravel.



# INSTALLING AW10-LSUB AND AW10-HSUB

## Painting

The exposed outer sides and top of the landscape subwoofer can be easily painted to match any landscape décor. It is recommended that these be painted prior to installation. Any high quality spray paint will do. Be careful not to paint the underside of the canopy of the AW10-LSUB-BR as there is a mesh insect/rodent guard at the base that can become clogged and interfere with sound transmission if it is blocked. Mask this area when painting. Similarly, do not paint the underside of the AW10-HSUB-BR and take care not to paint the screw threads of the adjustable feet.



Remove weatherproof rear cap by turning it counterclockwise

The above illustration shows a setting of 8W for a 70V system and 16W for a 100V system

## Wiring Connections

Note: Before connecting any wires, make certain that the tap setting switch (located by unscrewing the rear cover cap from the speaker) is set to either a 70v/100v position for 70v/100v systems or to the 8Ω position when used with a standard low impedance amplifier or receiver.

When you are ready to connect the loudspeaker wiring, make certain that you leave enough slack in the wiring to completely protect the wire after testing the system by burying it at least 6" underground or whatever minimum depth your local building code requires, or by protecting the wire in conduit. Leaving a wire exposed can lead to inadvertent damage during lawn mowing or trimming. Keeping the wire properly protected is essential to preventing unwanted service calls in the future.

While maintaining the proper polarity of the wires, twist the wire leads together and insert them into the enclosed waterproof wire nuts. Tighten the nuts securely and then test the connection before burying the wire, closing any junction boxes, or filling any wire trenchwork.

## Adjusting the tap setting (volume level)

When used as a 70v/100v speaker, the tap setting should be adjusted for each speaker in the system. Keep in mind that the total wattage number of all speakers connected to the same amplifier including any subwoofers should not exceed the amplifier's power rating, always leaving 20% of power as headroom.

When you have finished adjusting the tap settings, make sure to securely re-attach the protective tap setting cap of the speaker and hand-tighten it.

## Adjustable Feet for Easy Leveling (AW10-HSUB Only)

If installing the AW10-HSUB-BR on an uneven surface, each of the three mounting legs can be adjusted so that the subwoofer can be kept level. Simply unscrew any of the leg(s) and use the included hex wrench to counter tighten the two locking nuts into the desired position.

### AW10-LSUB Tap Settings:

70V: 8W, 16W, 32W, 64W, 128W

100V: 16W, 32W, 64W

8Ω Bypass

### AW10-HSUB Tap Settings:

70V: 8W, 16W, 32W, 64W, 128W

100V: 16W, 32W, 64W

8Ω Bypass

## WIRING INFO - 70V/100V OPERATION

### Speaker cable

Wiring speakers for 70V/100V systems is simple and easy. A single run of 2-conductor, stranded wire is run to every speaker location leaving a small loop (2-3 feet is usually more than sufficient depending on the speakers and their mounting type) at each speaker location. You can place additional loops for future expansion or for making speaker location changes if needed.

**Note:** This is very different from typical low-impedance wiring used for

residential audio installations where a dedicated run of wire goes from each speaker back to the amplifier/receiver. 70V/100V wiring uses much less wire and the wire used can be a much higher gauge (thinner wire) even though it is used in a longer run.

Here is a chart showing some of the differences possible among wire lengths for both low impedance (4Ω-8Ω) and high impedance (70V/100V) systems:

Speaker Cable Length for Various Gauges at Low and High Impedance									
AWG	Power Loss in Cable (% Loss & dB Loss)								
	4 Ohm Speakers			8 Ohm Speakers			70V Speakers		
	11%	21%	50%	11%	21%	50%	11%	21%	50%
	0.5 dB	1 dB	3 dB	0.5 dB	1 dB	3 dB	0.5 dB	1 dB	3 dB
6	277'	571'	1930'	554'	1141'	3859'	2.6mi	5.3mi	18mi
	84m	174m	588m	169m	348m	1.2km	4.14km	8.5km	29km
8	174'	359'	1214'	349'	718'	2428'	1.6 mi	3.4 mi	11.3 mi
	53m	109m	370m	106m	219m	740m	2.6km	5.5km	18.1km
10	110'	226'	764'	219'	452'	1528'	1mile	2mi	7mi
	33.5m	69m	233m	67m	138m	466m	1.6km	3.4km	11.4km
12	69'	142'	480'	138'	284'	959'	3376'	1.3 mi	4.5mi
	21m	43m	146m	42m	87m	292m	1km	2.1km	7.2km
14	43'	89'	302'	87'	179'	604'	2127'	4380'	2.8mi
	13m	27m	92m	27m	55m	184m	648m	1.3km	4.5km
16	27'	55'	185'	53'	110'	371'	1305'	2687'	1.7mi
	8m	17m	56m	16m	38m	113m	398m	819m	2.8km
18	17'	35'	117'	34'	69'	234'	823'	1694'	1mi
	5m	11m	36m	10m	21m	71m	251m	516m	1.75km
20	11'	22'	74'	21'	44'	147'	518'	1068'	3610'
	3m	7m	23m	6m	13m	45m	158m	331m	1.1km
22	7'	13'	46'	13'	27'	91'	321'	661'	2234'
	2m	4m	14m	4m	8m	28m	98m	201m	681m
24	4'	9'	29'	8'	17'	57'	202'	417'	1409'
	1m	3m	9m	2m	5m	17m	62m	127m	429m

## WIRING INFO - 70V/100V OPERATION

### Important

Because outdoor loudspeakers often have buried speaker cable, please make certain to fully test an entire system and make sure that all wiring, speakers, volume level, etc. meets your desired needs before filling in any trenching or covering any speaker cable or wiring connections.

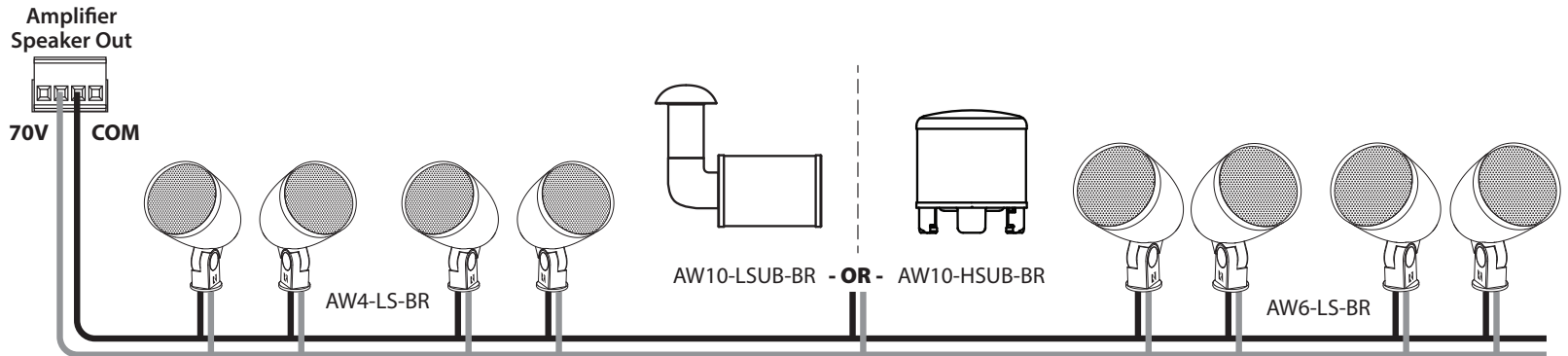
**Note:** Unlike traditional residential audio, 70V/100V systems are typically run in mono sound so that only a single two-conductor wire run is necessary for the speakers. If you want to use multiple wire runs for zoning speakers or other purposes, each 2-conductor wire needs to be independently run back to its own amplifier or amplifier terminals if using a multi-channel amplifier.

1. At each speaker location, cut the loop of wire at the speaker location
2. Strip 1 to 2 inches (2.5 to 5 cm) off the end of the cable jacket. Then strip ½-inch (1.3 cm) of insulation off each wire.
3. Twist the wire strands together so there are no strands separated from the bundle.
4. Connect the wires to the speaker terminals, being sure to observe proper polarity. For standard speaker cable with red and black wires, connect both

red wires (the red wire coming from the 70V/100V connection on the amplifier or the previous speaker if there was one AND the red wire going to the next speaker if there is an additional speaker) to the red positive (+) terminal and both black wires (the black wire coming from the COM connection of the 70V/100V amplifier or the previous speaker if there was one AND the black wire going to the next speaker if there is an additional speaker) to the black negative (-) terminal.

**Note:** Some speaker cables may have other ways of designating polarity. Cable with a clear jacket has a copper-colored wire for positive and a silver-colored wire for negative. In a cable with white and black wires, the white is positive (70V or 100V) and the black is negative (COM). Cable with both wires the same color may have grooves, ribs, or stripes on the positive wire to identify it.

5. Check to make sure there are no stray strands of wire outside the terminals. If there are, remove the wire, twist the strands together, and reconnect the wire to the terminal.
6. At the final loudspeaker, the only wires connected will be the ones coming from the previous loudspeaker (or from the amplifier if there is only one speaker in the system).



## WIRING INFO - 70V/100V OPERATION

### Adjust the Tap Settings

The tap settings will affect the overall volume of each loudspeaker in the system. When designing a 70V/100V system, care must be taken not to exceed the power rating of the amplifier or dangerous clipping may occur. Clipping is the most common cause of damage to loudspeakers and should be avoided at all times. The standard rule is to design a system that leaves 20% of the amplifier's rated power as a reserve. For example, with a 300-watt amplifier, speakers should never be set with taps that total higher than 240-watts. The amplifiers total load is determined by adding the wattage of each speaker. When thicker wire or exceptionally long wire runs are used, there is an additional component of current loss due to the cable that can become significant and must be considered in the calculation.

For a 70V/100V system, most installations are designed to blanket an area using more loudspeakers at a lower tap setting rather than using fewer speakers at a higher tap settings. This is done to avoid hot spots where very loud sound is heard in certain areas and less in others. It is much more common for 70V speakers to be set at their lowest tap setting than at their highest, but each installation may require adjustments due to the application or environment.

#### AW10-LSUB Tap Settings:

70V: 8W, 16W, 32W, 64W, 128W

100V: 16W, 32W, 64W

8Ω Bypass

#### AW10-HSUB Tap Settings:

70V: 8W, 16W, 32W, 64W, 128W

100V: 16W, 32W, 64W

8Ω Bypass

### Speaker cable

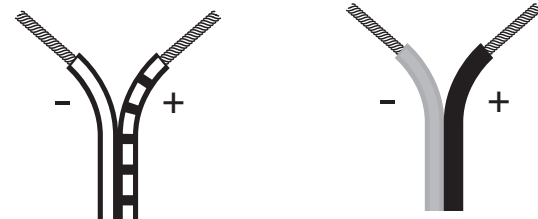
The amount of wire needed varies with speaker placement. Label speaker wires with left, right, and location.

Use Russound AW series speaker cable or any reputable brand of 16 to 12 gauge multi-stranded wiring for amplifier- to-speaker connections.

Wire is measured in gauges: the greater the number, the smaller the wire. The gauge of wire needed is determined by the distance between the amplifier/receiver and the speakers. The longer the run, the heavier the gauge needed. Use the following chart as a guide:

<u>Length</u>	<u>Minimum Gauge</u>
0' to 100'	16
50' to 150'	14
100' to 200'	12

The standard colors on the terminals are red Positive (+) and black Negative (-). If the wire has transparent insulation, one conductor will be copper-colored (+) and the other silver-colored (-). If the wire has an opaque insulation, the conductors are differentiated by a series of ribs or grooves, a stripe, or dotted line on one conductor. Use and mark these as the Positive (+) conductor.

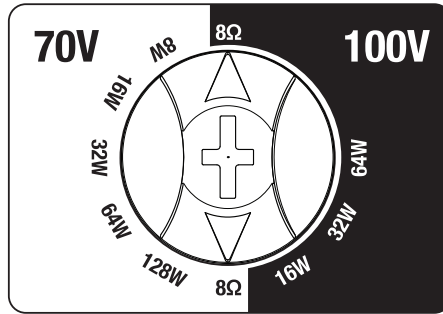


Typical usage of speaker wire conductors



## Tap Setting Knob

When using the subwoofers with a low impedance system (such as with a 4Ω or 8Ω amplifier or receiver), make sure that the tap setting switch is set to the 8Ω position. This is the only appropriate setting when using the speaker with a low impedance amplifier.



## Prewiring

Run a separate 2-conductor stranded copper speaker cable of at least 16 AWG (1.5 mm) from the amplifier to each speaker.

When running a speaker cable parallel to an AC power cable, keep them at least 24 inches (60 cm) apart to minimize electromagnetic interference. If the speaker cables must cross AC wiring, cross them at right angles.

Leave about 2 feet (0.6 m) of cable at each end for connecting to the speakers and amplifier. Label the cables so you will know which cable connects to each keypad or amplifier output channel.

- Avoid running speaker wires close to house electrical wiring for any distance. If you have to run them parallel, leave two feet between the wiring. Speaker wires should cross AC lines at a 90° angle.
- The entire path between speakers and amplifier should be clear and unobstructed. Confirm the placement for the wall port close to the intended location of the amplifier or receiver.
- Label speaker wires at each end with left and right and location.

## Impedance matching for amplifiers and speakers

If you intend to use more than one pair of speakers at a time it's important to consider both the impedance of the speakers and the capabilities of the amplifier or receiver. Not all amplifiers or receivers can safely operate two sets of speakers at once.

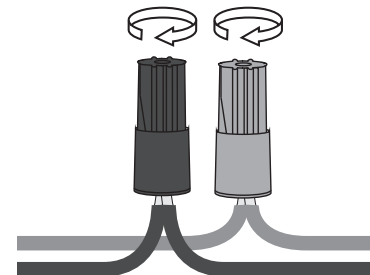
## Connecting the speaker

### With power to the amplifier or receiver disconnected:

1. Strip 1 to 2 inches (2.5 to 5 cm) off the end of the cable jacket. Then strip ½ inch (1.3 cm) of insulation off each wire.
2. Twist the wire strands together so there are no strands separated from the bundle.
3. Connect the wires to the speaker terminals, being sure to observe proper polarity. For standard speaker cable with red and black wires, connect the red wire to the red positive (+) terminal and the black wire to the black negative (-) terminal.

**Note:** Some speaker cables may have other ways of designating polarity. Cable with a clear jacket has a copper-colored wire for positive and a silver-colored wire for negative. In a cable with white and black wires, the white is positive and the black is negative. Cable with both wires the same color may have grooves, ribs, or stripes on the positive wire.

4. Check to make sure there are no stray strands of wire outside the terminals. If there are, remove the wire, twist the strands together, and reconnect the wire to the terminal.



# TECHNICAL SPECIFICATIONS

## AW10-LSUB-BR Landscape Speaker

**Type:** Full Bandpass Subwoofer

**Woofers:** 10" (254mm) PP Weatherproof Cone  
(rubber surround)

**Impedance:** 8Ω - 70/100V

**Frequency Response:** 30Hz - 200Hz

**SPL:** 90 dB @1w/1m

**Dimensions:** Woofer Enclosure: 12.7" dia x 18.3"L (32.3 x 46.5cm)  
Canopy: 10.8" dia (27.4)

**Weight:** 29 lbs (13.1 kg)



## AW10-HSUB-BR Landscape Speaker

**Type:** Down Firing Subwoofer

**Woofers:** 10" (254mm) DVC Long Throw Poly  
(Santoprene Surround)

**Impedance:** 8Ω - 70/100V

**Frequency Response:** 38Hz-300Hz +/- 3dB

**SPL:** 90 dB @1w/1m

**Dimensions:** 16" dia x 17-3/4"H (40.6 x 45cm)

**Weight:** 34 lbs. (15.4 kg)



### *Speaker care*

These sealed construction speakers are made of durable materials that need very little care. Occasionally wipe them with a soft, damp cloth. Do not use any harsh detergents, chemical solvents, or abrasive materials on your speakers, and do not spray water or other liquids into the grilles.

The Russound AW10-LSUB-BR Speaker is guaranteed against all defects in materials and workmanship for five (5) years from the date of purchase. During this period, Russound will replace any defective parts and correct any defect in workmanship without charge for either parts or labor.

For this warranty to apply, the unit must be installed and used according to its written instructions. If service is necessary, it must be performed by Russound. The unit must be returned to Russound at the owner's expense and with prior written permission. Accidental damage and shipping damage are not considered defects, nor is damage resulting from abuse or from servicing by an agency or person not specifically authorized in writing by Russound.

This Warranty does not cover:

- Damage caused by abuse, accident, misuse, negligence, or improper installation or operation
- Power surges and lightning strikes
- Normal wear and maintenance
- Products that have been altered or modified
- Any product whose identifying number, decal, serial number, etc. has been altered, defaced or removed.

Russound sells products only through authorized Dealers and Distributors to ensure that customers obtain proper support and service. Any Russound product purchased from an unauthorized dealer or other source, including retailers, mail order sellers and online sellers will not be honored or serviced under existing Russound warranty policy. Any sale of products by an unauthorized source or other manner not authorized by Russound shall void the warranty on the applicable product.

Damage to or destruction of components due to application of excessive power voids the warranty on those parts. In these cases, repairs will be made on the basis of the retail value of the parts and labor. To return for repairs, the unit must be shipped to Russound at the owner's expense, along with a note explaining the nature of service required. Be sure to pack the unit in a corrugated container with at least three (3) inches of resilient material to protect the unit from damage in transit.

Before returning a unit for repair, call Russound at (603) 659-5170 for a Return Authorization number. Write this number on the shipping label and ship to:

## **Russound**

Attn: RA# (Insert your RA number here)

1955 Wehrle Dr

Williamsville NY 14221

Due to continual efforts to improve product quality as new technology and techniques become available, Russound/FMP, Inc. reserves the right to revise system specifications without notice.

a sound relationship

# Russound

---

©2022 Russound/FMP Inc. All rights reserved.  
All trademarks are the property of their respective owners.  
Specifications are subject to change without notice.  
Russound is not responsible for typographical errors or omissions.

**Russound**  
200 International Drive, Suite 155  
Portsmouth, NH 03801 USA  
Tel: 603.659.5170  
email: [tech@russound.com](mailto:tech@russound.com) [www.russound.com](http://www.russound.com)

01.2022 - Rev.2